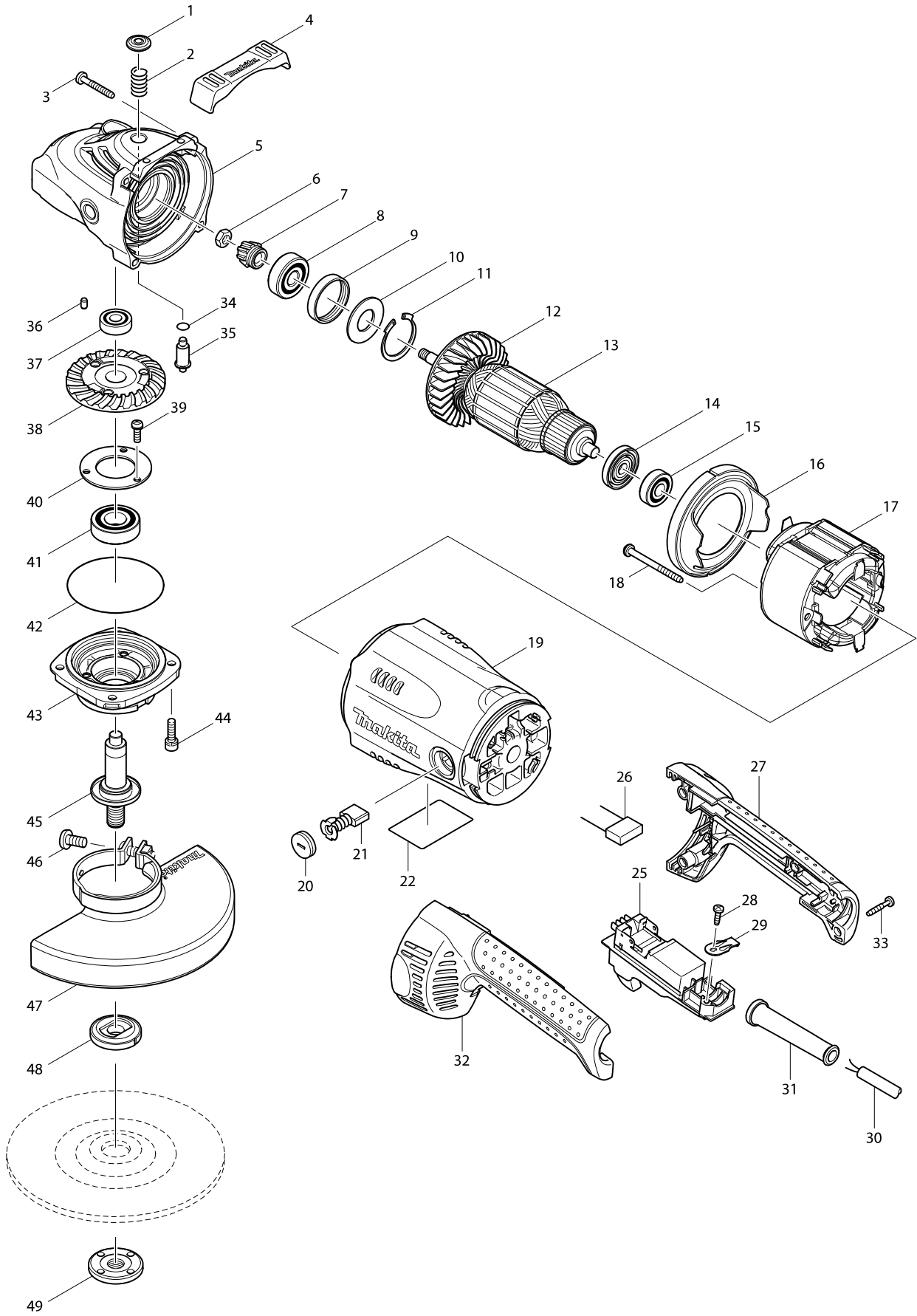


Model No. GA7020 ANGLE GRINDER 180MM



Model No. GA7020 ANGLE GRINDER 180MM

Item	Parts No.	Description	I/C	QTY	N/O	Opt. 1	Opt. 2	NOTE
001	419133-4	PIN CAP		1	*	100		
001-1	416449-8	PIN CAP	S	1	*	100		
001-2	419133-4	PIN CAP	S	1		100		
002	233292-8	COMPRESSION SPRING 12		1		100		
003	266373-3	TAPPING SCREW 5X35		4	*	100		
003-1	266012-5	TAPPING SCREW 5X35	O	4		100		
004	419144-9	BUMPER		1		100		
005	154685-5	GEAR HOUSING COMPLETE		1	*	100		
C10	262118-7	FELT RING 18		1	*	100		
005-1	154685-5	GEAR HOUSING COMPLETE	O	1	*	100		
C10	262118-7	FELT RING 18		1	*	100		
C20	419134-2	LABYRINTH PLATE		1	*	100		
005-2	154685-5	GEAR HOUSING COMPLETE	O	1	*	100		
C10	262118-7	FELT RING 18		1	*	100		
005-3	142754-4	GEAR HOUSING COMPLETE	<	1		100		
C10	262118-7	FELT RING 18		1		100		
006	252194-9	HEX. NUT M8		1		100		
007	227488-1	SPIRAL BEVEL GEAR 16		1		100		
008	211132-0	BALL BEARING 6301DDW		1		100		
009	262085-6	RUBBER RING 38		1		100		
010	267299-2	FLAT WASHER 20		1		100		
011	962211-4	RETAINING RING R-42		1		100		
012	240081-4	FAN 80		1		100		
013A	516940-7	ARMATURE ASS'Y 100-110V		1	*	151		
D10		INC. 12,14,15			*			
013B	516943-1	ARMATURE ASS'Y 220V		1	*			
D10		INC. 12,14,15			*			
013C	516940-7	ARMATURE ASS'Y 100-110V		1	*	151		
D10		INC. 12,14,15			*			
013D	516943-1	ARMATURE ASS'Y 220V		1	*			
D10		INC. 12,14,15			*			
013-1A	510123-1	ARMATURE ASS'Y 100-115V	<	1		151		
013-1B	516944-9	ARMATURE ASS'Y 240V	<	1	*	151		
D10		INC. 12,14,15			*			
013-1C	510123-1	ARMATURE ASS'Y 100-115V	<	1		151		
013-1D	516944-9	ARMATURE ASS'Y 240V	<	1	*	151		
D10		INC. 12,14,15			*			
013-2B	517794-5	ARMATURE ASS'Y 240V	<	1		151		
013-2D	517794-5	ARMATURE ASS'Y 240V	<	1		151		
014	681630-2	INSULATION WASHER		1		100		
015	210075-3	BALL BEARING 6200DDW		1		100		
016	419135-0	BAFFLE PLATE		1		100		
017A	526156-6	FIELD ASS'Y 115V		1	*	152		
C10	654197-3	RING TERMINAL		2	*	100		
C20	654502-4	CONNECTOR P-2		2	*	100		
017B	526159-0	FIELD ASS'Y 240V		1	*	152		
C10	654197-3	RING TERMINAL		2	*	100		
C20	654502-4	CONNECTOR P-2		2	*	100		

Model No. GA7020 ANGLE GRINDER 180MM

Item	Parts No.	Description	I/C	QTY	N/O	Opt. 1	Opt. 2	NOTE
017C	526156-6	FIELD ASS'Y 115V		1	*	152		
C10	654197-3	RING TERMINAL		2	*	100		
C20	654502-4	CONNECTOR P-2		2	*	100		
017D	526159-0	FIELD ASS'Y 240V		1	*	152		
C10	654197-3	RING TERMINAL		2	*	100		
C20	654502-4	CONNECTOR P-2		2	*	100		
017-1A	520071-6	FIELD ASS'Y 115V	O	1		152		
C10	654197-3	RING TERMINAL		2		100		
C20	654502-4	CONNECTOR P-2		2		100		
017-1B	526159-0	FIELD ASS'Y 240V	O	1	*	152		
C10	654197-3	RING TERMINAL		2	*	100		
C20	654502-4	CONNECTOR P-2		2	*	100		
017-1C	520071-6	FIELD ASS'Y 115V	O	1		152		
C10	654197-3	RING TERMINAL		2		100		
C20	654502-4	CONNECTOR P-2		2		100		
017-1D	526159-0	FIELD ASS'Y 240V	O	1	*	152		
C10	654197-3	RING TERMINAL		2	*	100		
C20	654502-4	CONNECTOR P-2		2	*	100		
017-2B	526179-4	FIELD ASS'Y 240V	O	1		152		
C10	654197-3	RING TERMINAL		2		100		
C20	654502-4	CONNECTOR P-2		2		100		
017-2D	526179-4	FIELD ASS'Y 240V	O	1		152		
C10	654197-3	RING TERMINAL		2		100		
C20	654502-4	CONNECTOR P-2		2		100		
018	266329-6	TAPPING SCREW 5X60		2	*	100		
018-1	266044-2	TAPPING SCREW 5X60	O	2		100		
019	154671-6	MOTOR HOUSING COMPLETE		1		100		
C10	643712-8	BRUSH HOLDER		2		100		
020	643700-5	BRUSH HOLDER CAP 7-18		2		100		
021	191957-7	A.C. CARBON BRUSH CB-204		1		100		
022	861760-7	GA7020 NAME PLATE		1		100		
025A	651175-4	SWITCH 1267.5115		1	*	100		
025B	651174-6	SWITCH 1267.5114		1	*	100		
025C	651175-4	SWITCH 1267.5115		1	*	100		
025D	651174-6	SWITCH 1267.5114		1	*	100		
025-1A	650102-8	SWITCH TG08-1200-011	O	1		100		
025-1B	650102-8	SWITCH TG08-1200-011	O	1		100		
025-1C	650102-8	SWITCH TG08-1200-011	O	1		100		
025-1D	650102-8	SWITCH TG08-1200-011	O	1		100		
026	645088-9	NOISE SUPPRESSOR		1		100		
027	188059-8	HANDLE SET		1		100		
C10	423350-0	SPONGE SHEET		1		100		
D10		INC. 32						
028	266385-6	TAPPING SCREW 4X14		1	*	100		
028-1	266192-7	TAPPING SCREW 4X14	O	1		100		
029A	687678-2	STRAIN RELIEF		1		100		
029B	687169-3	STRAIN RELIEF		1		100		
029C	687678-2	STRAIN RELIEF		1		100		

Model No. GA7020 ANGLE GRINDER 180MM

Item	Parts No.	Description	I/C	QTY	N/O	Opt. 1	Opt. 2	NOTE
029D	687169-3	STRAIN RELIEF		1		100		
030A	665550-8	POWER SUPPLY CORD 2.5-2-2.5		1		100		
030B	692607-2	POWER SUPPLY CORD 1.5-2-2.5		1				
030C	665550-8	POWER SUPPLY CORD 2.5-2-2.5		1		100		
030D	692607-2	POWER SUPPLY CORD 1.5-2-2.5		1				
031A	682561-8	CORD GUARD 11.5		1		100		
031B	682560-0	CORD GUARD 10		1		100		
031C	682561-8	CORD GUARD 11.5		1		100		
031D	682560-0	CORD GUARD 10		1		100		
032	188059-8	HANDLE SET		1		100		
C10	423350-0	SPONGE SHEET		1		100		
D10		INC. 27						
033	266374-1	TAPPING SCREW 4X25		4	*	100		
033-1	265999-8	TAPPING SCREW 4X25	O	4		100		
034	213062-1	O RING 9		1		100		
035	256491-5	SHOULDER PIN 5		1	*	100		
035-1	256499-9	SHOULDER PIN 5	S	1	*	100		
035-2	256491-5	SHOULDER PIN 5	S	1		100		
036	263002-9	RUBBER PIN 4		1		100		
037	210067-2	BALL BEARING 6000ZZ		1		100		
038	227489-9	SPIRAL BEVEL GEAR 53 B		1		100		
039	265120-9	PAN HEAD SCREW M5X16		3		100		
040	285724-1	BEARING RETAINER 50		1		100		
041	211285-5	BALL BEARING 6203DDW		1		100		
042	213760-7	O RING 78		1		100		
043	317988-0	BEARING BOX		1	*	100		
043-1	318377-2	BEARING BOX	S	1		100		
044	265541-5	HEX. SOCKET HEAD BOLT M6X22		4		100		
045	154682-1	SPINDLE COMPLETE		1	*	100		
C10	345629-8	LABYRINTH RING 25		1	*	100		
045-1	158206-5	SPINDLE COMPLETE	S	1		100		
C10	345629-8	LABYRINTH RING 25		1		100		
046	265158-4	+PAN HEAD SCREW M8X25		1	*	100		
046-1	265198-2	+PAN HEAD SCREW M8X25	<	1		100		
047	154674-0	WHEEL COVER 180 COMPLETE		1	*	100		
D10		INC. 46			*			
047-1	122889-7	WHEEL COVER 180K ASSEMBLY	S	1		100		
C10	213017-6	O RING 6		1		100		
D10		INC. 46						
048	224298-7	INNER FLANGE 42		1	*	100		
048-1	224415-9	INNER FLANGE 42	<	1		100		
049	224543-0	LOCK NUT 14-45		1				
050	233946-7	RING SPRING 15		1		100		
051	819357-6	CLEAR LABEL		1	*			
051-1	804Y42-4	CLEAR LABEL	<	1				
A01	152539-0	GRIP 36 COMPLETE		1				
A02	782407-9	LOCK NUT WRENCH 35		1	*			
A02-1	197610-3	LOCK NUT WRENCH 35 SET	O	1				

